

# Kawasaki

## Assembly Instructions

Model:	TERYX KRX
Description:	Winch Installation Kit
Part Number:	99994-1300
Assembly Time:	60 Minutes

**Before you begin, read through these instructions and check that all parts are present.**

**Please note that Kawasaki cannot assume any responsibility for damage resulting from incorrect installation.**

**Kawasaki recommends that all genuine accessories should be fitted by an authorized Kawasaki dealer.**

The following symbols indicate the information for proper installation and operation in this instruction.

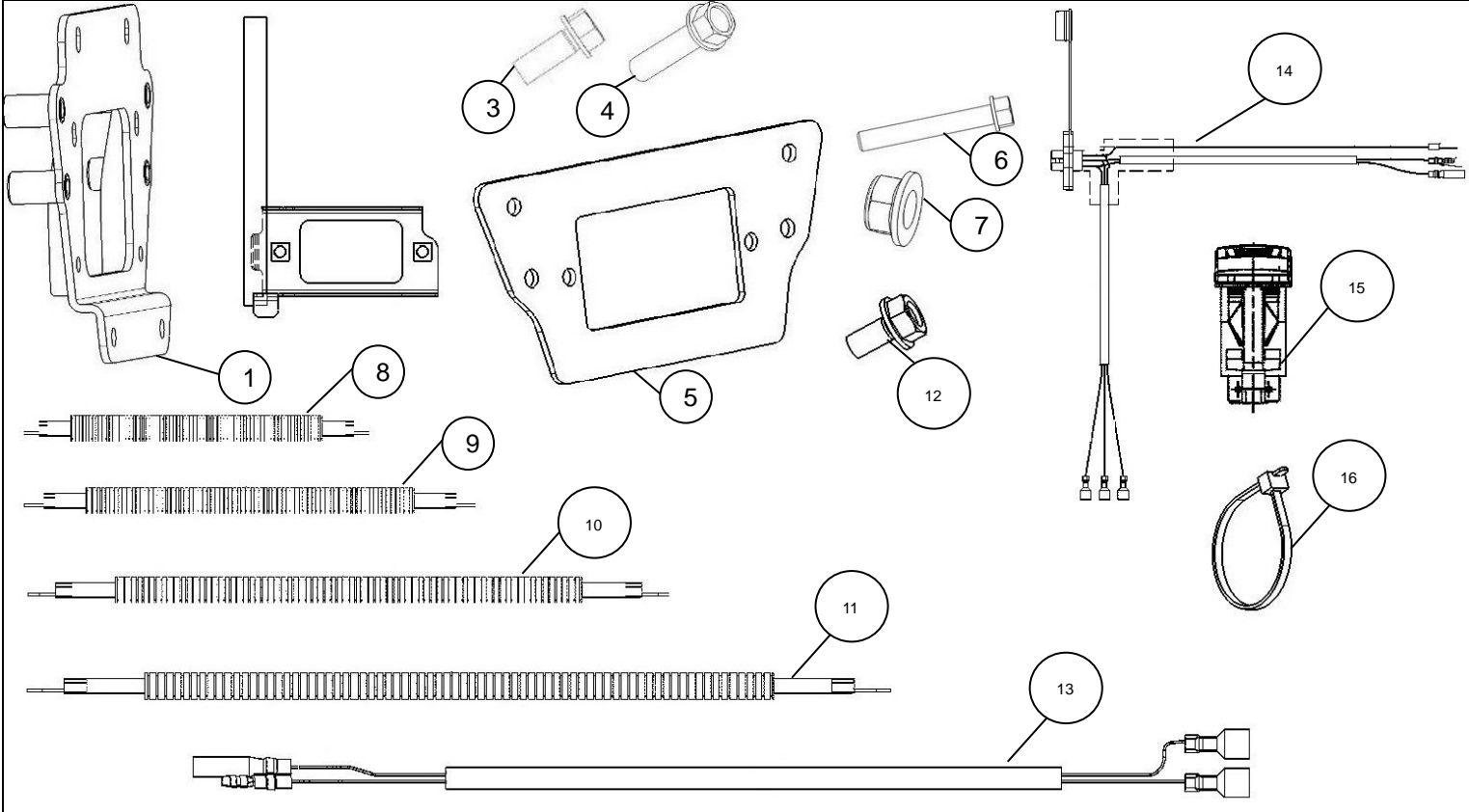
**NOTE** : *NOTE indicates information that may help or guide you in the operation or service of the vehicle.*

● Indicates a procedural step or work to be done.

○ Indicates a procedural sub-step or how to do the work of the procedural step it follows. It also precedes the text of a NOTE.

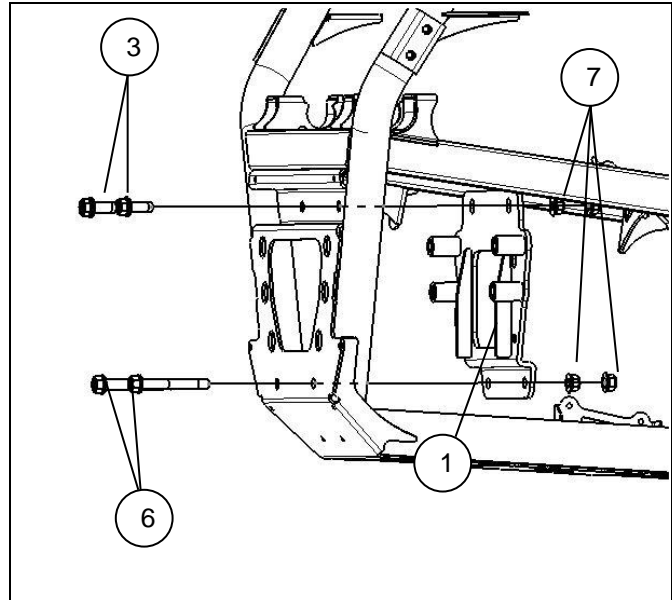
Parts List			
No.	Component Name	Qty	Remark
1	Winch Bracket	1	
2	Winch Relay Mount Bracket	1	
3	M10x1.25 x 25mm Bolt	2	
4	M10x1.25 x 40mm Bolt	4	
5	Fairlead Plate	1	
6	M10x1.25 x 70mm Bolt	2	
7	M10x1.25mm Nut	4	
8	Harness	1	Black
9	Harness	1	Red
10	Harness	1	Blue
11	Harness	1	Yellow
12	M6x16 Bolt	2	
13	Remote Harness	1	
14	Contacting Harness	1	
15	Switch	1	
16	Tie Band	12	

### Parts Photo

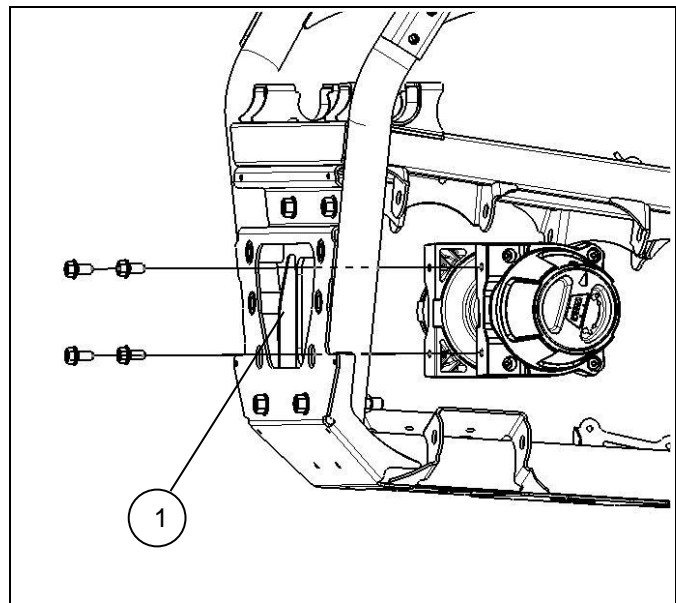


## Installation Instructions

- Park the vehicle on level ground, set the parking brake, and turn off the ignition switch.
- Disconnect positive and negative battery terminals.
- Remove driver side seat and battery from vehicle.
- Attach the winch bracket (1) to the rear of the frame as shown using 2-M10x1.25x25mm bolts (3), 2-M10x1.25x70mm bolts(6), and 4-M10x1.25mm nuts(7) as shown.

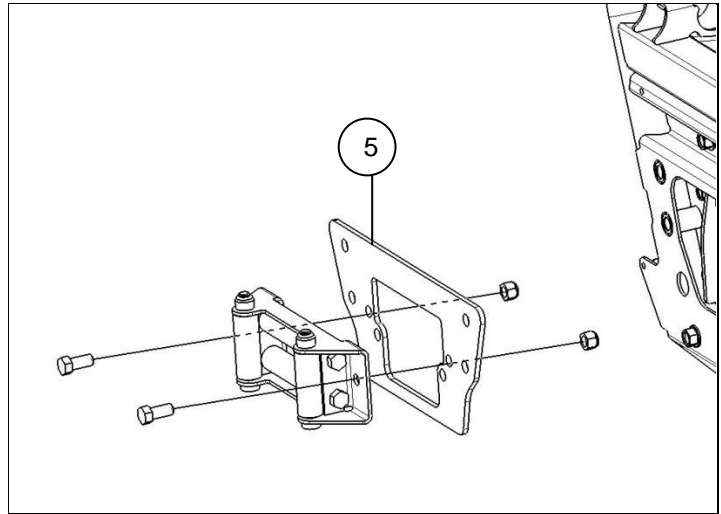


- Install the winch to the winch mount bracket (1) using 4-M8 bolts (winch kit) as shown.

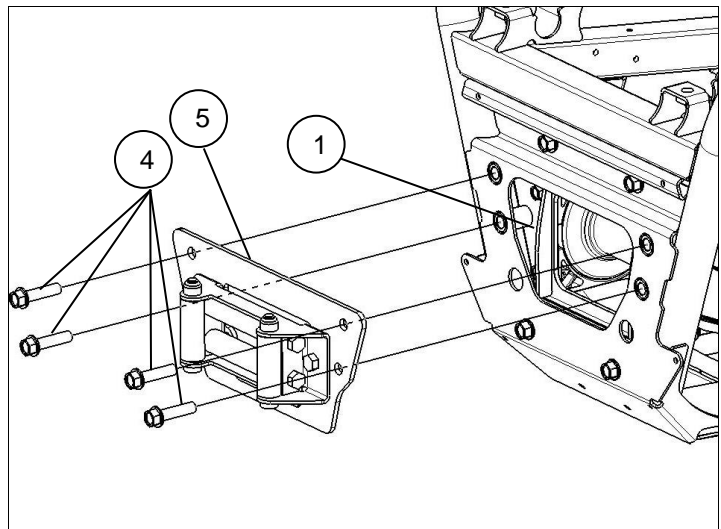


## Installation Instructions

- Attach fairlead to the fairlead plate (5) using M12 bolts and M12 nuts (winch kit) as shown.

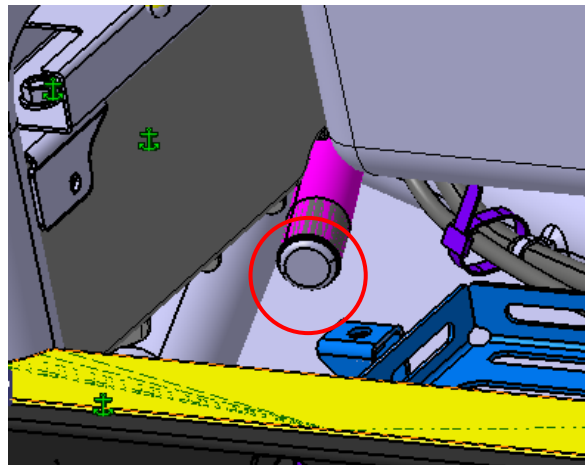
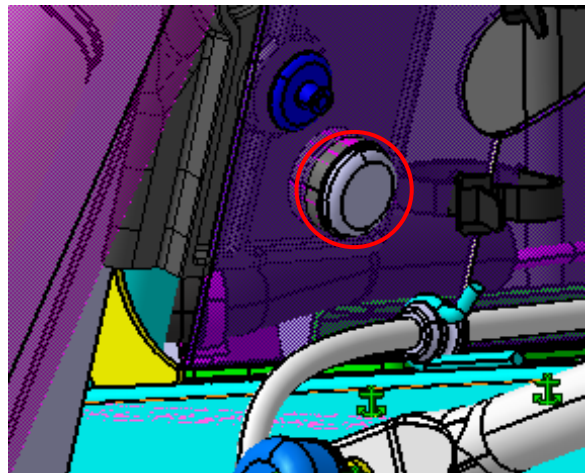


- Install the fairlead plate (5) with the fairlead to the rear of the frame and the winch bracket (1) using M10x1.25x40mm bolts (4) as shown.



## Installation Instructions

- Remove center dash and cut out desired switch location.
- Open glove box and drill 7/8" hole near center of driver side of glove box. Use winch remote socket mount as template to mark mount-hole locations. Then drill 1/4" holes.
- Feed wire harness attached to remote switch through 7/8" hole and bolt remote switch to glove box using the M5 bolts, washers and nuts from the winch kit.
- Remove corrugated tube caps at front of vehicle and near battery.



- Push contactor harness and Blue and Yellow winch wires through front of corrugated tube to battery location.

### NOTE

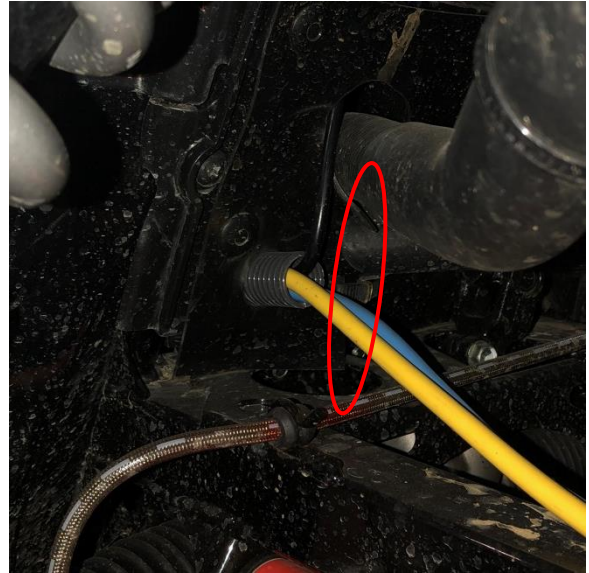
- *It may be helpful to tape the ends of the contactor harness together to push through tube.*

- Connect yellow and blue wires to winch.
- Route Yellow and Blue wires as shown.
- Secure to frame with tie bands (16).



## Installation Instructions

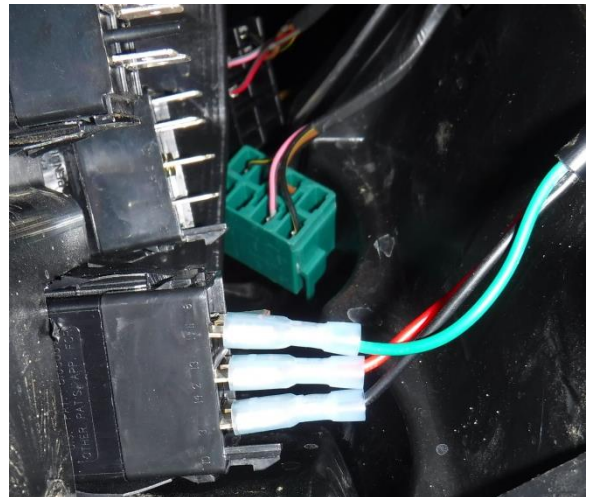
- Feed the contactor wire through the hole in the fire wall next to the corrugated tube and connect to the winch remote socket.



- Connecting ring terminal to power terminal on bus bar and secure to tube frame using wire ties.

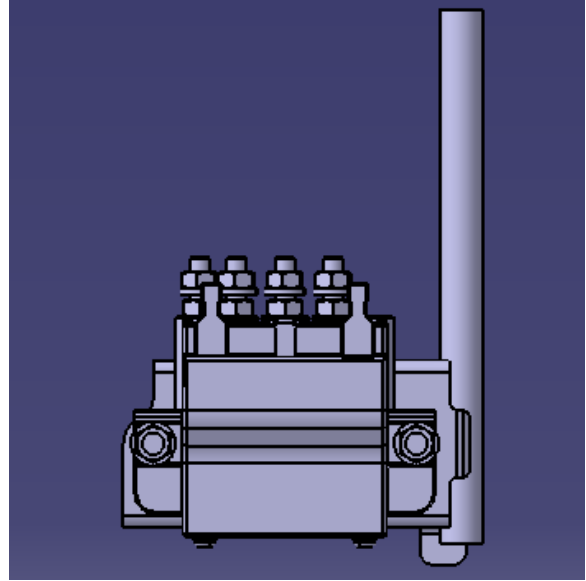


- Insert winch into previously cut hole in dash and connect winch remote socket wire to switch as shown.
- Reinstall center dash and check winch to ensure it is working properly.

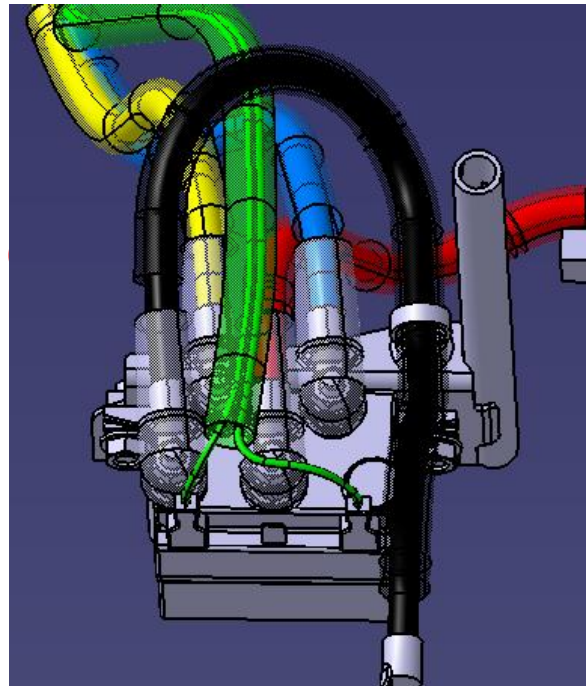


## Installation Instructions

- Connect contactor to contactor mount bracket with 2-6mm bolts (12).



- Connect Yellow, Blue, Red and Black wire to contactor. Match wire colors to the colors on the contactor.

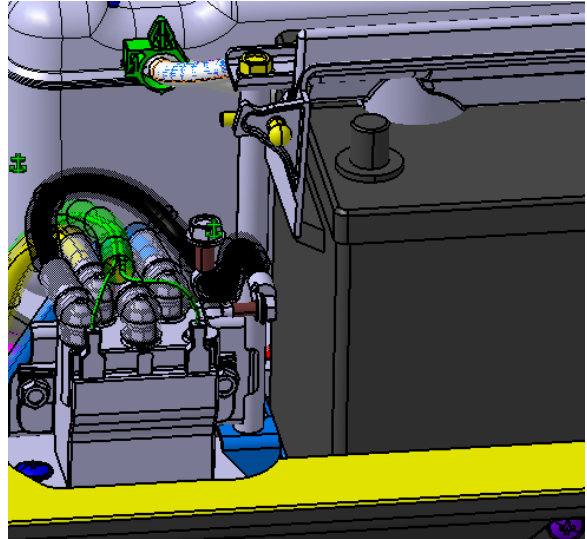


## Installation Instructions

- Reinstall battery and contactor mount as shown.

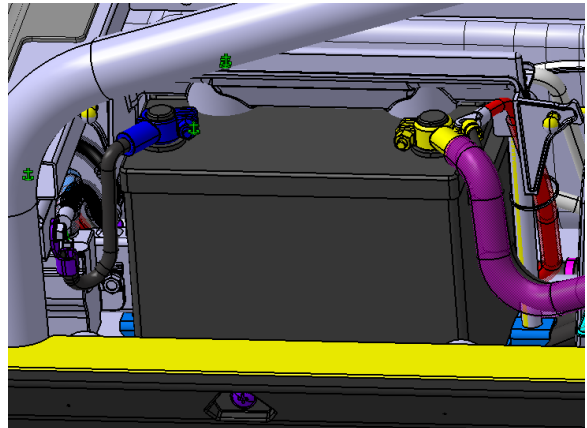
### NOTE

- *Contactor mount will replace the front side battery mount collar.*



- Connect black wire to battery ground on frame and red wire to positive terminal on battery as shown.

- Reinstall seat.



Enjoy your Kawasaki genuine accessory!