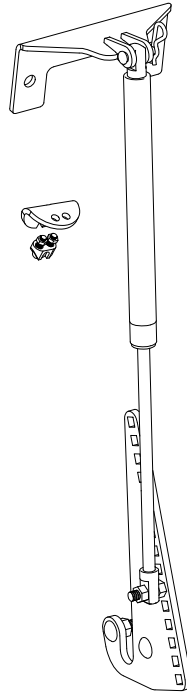


1701 38TH AVE W
PO BOX 257
SPENCER, IA 51301
PHONE: 712-262-4191
FAX: 712-262-0248
SERVICE: 800-841-2222
E-MAIL: ccac@cyclecountry.com

PLOW DOWN FORCE KIT

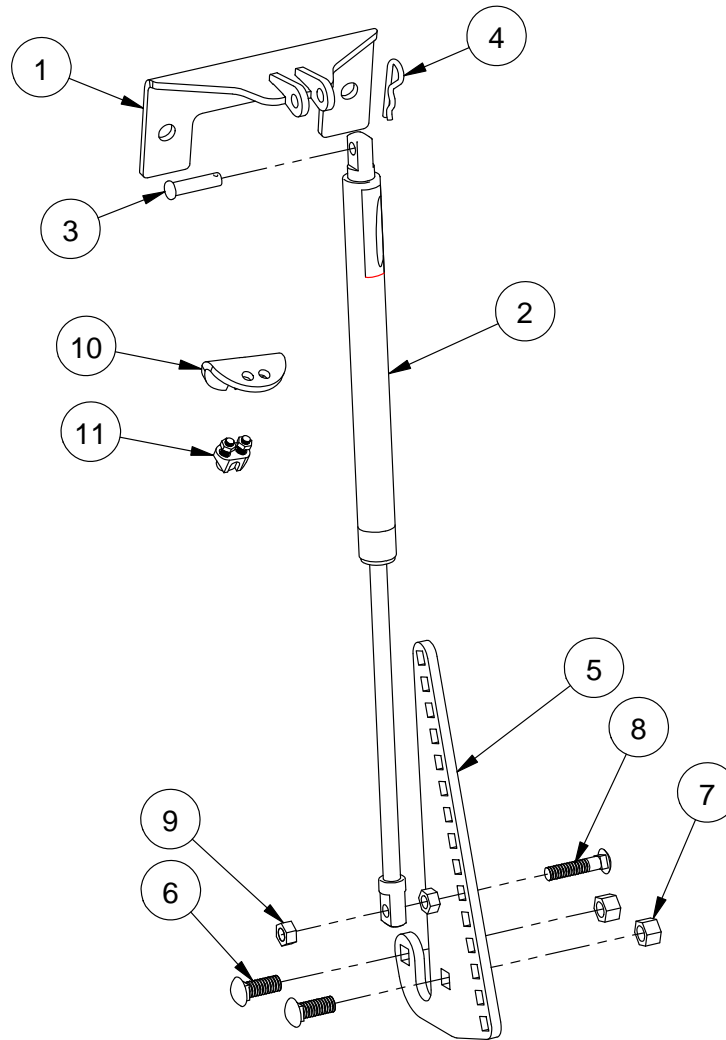
OWNER'S MANUAL

MODEL NUMBER: 10-0230



**CUSTOMER MUST RECEIVE A COPY OF THIS
OWNERS MANUAL AT TIME OF SALE**

The Cycle Country Plow Down Force Kit enables your Cycle Country plow to exert additional downward force on the surface you are plowing in order to improve the effectiveness of your plow. The Plow Down Force Kit uses a gas spring attached to your winch and to your Cycle Country Plow system to exert the downward force. An ATV winch is required to raise and lower your plow with the Plow Down Force Kit installed and must be purchased separately. You may use either a Cycle Country Winch Kit (Model No's. 25-0150, 25-0250, 25-0300) or any commercially available ATV winch.



Model Number 10-0230 Parts List

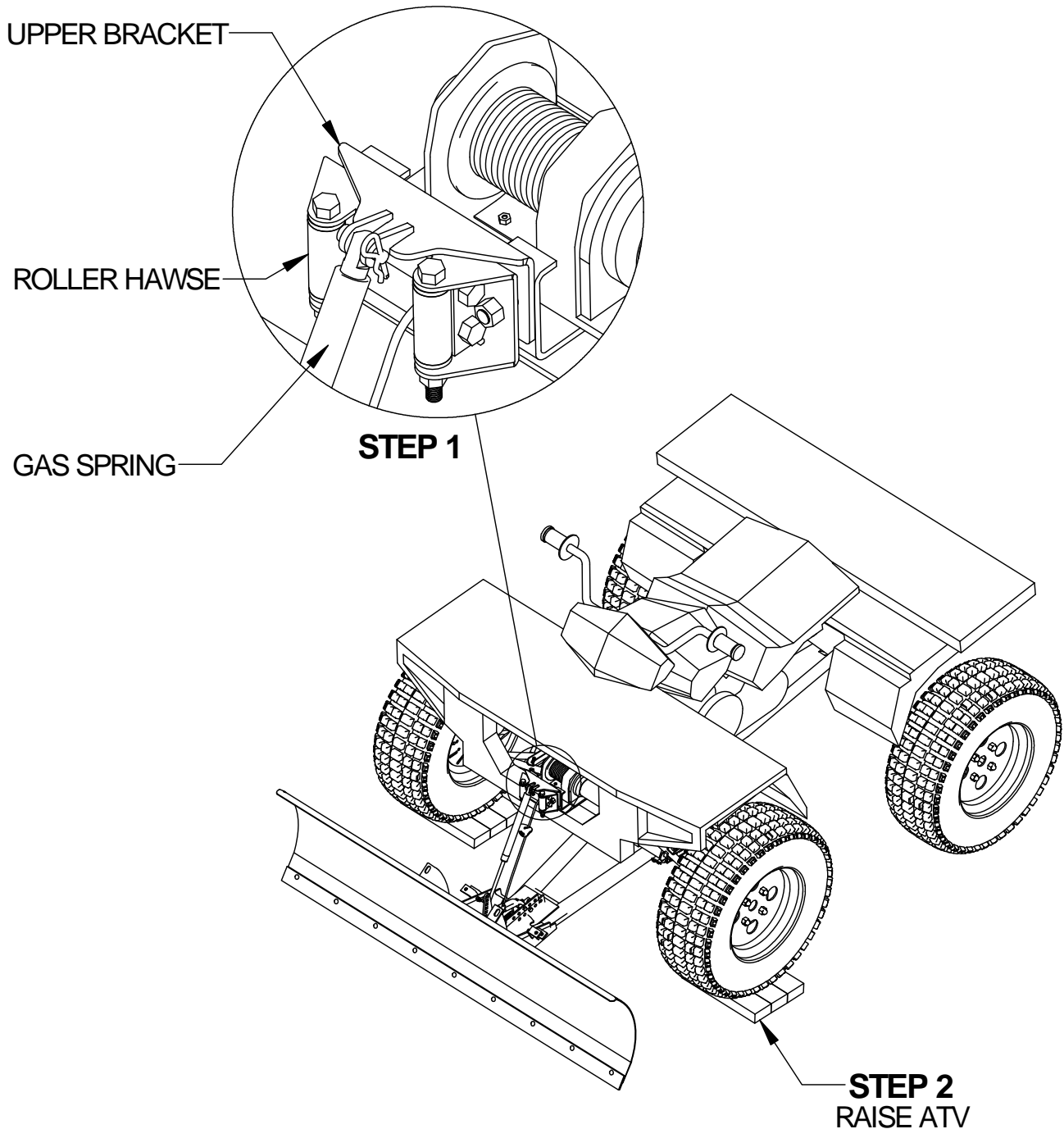
ITEM NO.	QTY.	PART NO.	DESCRIPTION
1	1	CYC0057	Upper Bracket Weldment
2	1	CYC0114	Gas Spring Assembly
3	1	PUR2168	1/4" Clevis Pin
4	1	PUR1249	#3 Hair Pin Yellow
5	1	CYC0056	Lower Bracket
6	2	PUR1185	Carriage Bolt 3/8" x 1"
7	2	PUR1272	Nut 3/8" Nylock
8	1	PUR1190	Carriage Bolt 5/16" x 1-1/2"
9	2	PUR1275	Locknut 5/16" Nylock
10	1	CYC0882	Cable Stop
11	1	PUR1606	3/16" Cable Clamp

STEP 1

Install the upper bracket (Item 1) behind your winch roller hawse as shown below. Attach the gas spring (Item 2) to the upper bracket using the clevis pin and hairpin (Items 3 and 4). Orient the gas spring with the rod pointing downward to ensure proper internal lubrication.

STEP 2

Raise the front of your ATV approximately 1-1/2". Driving up onto pieces of 2x4 lumber works well for this.

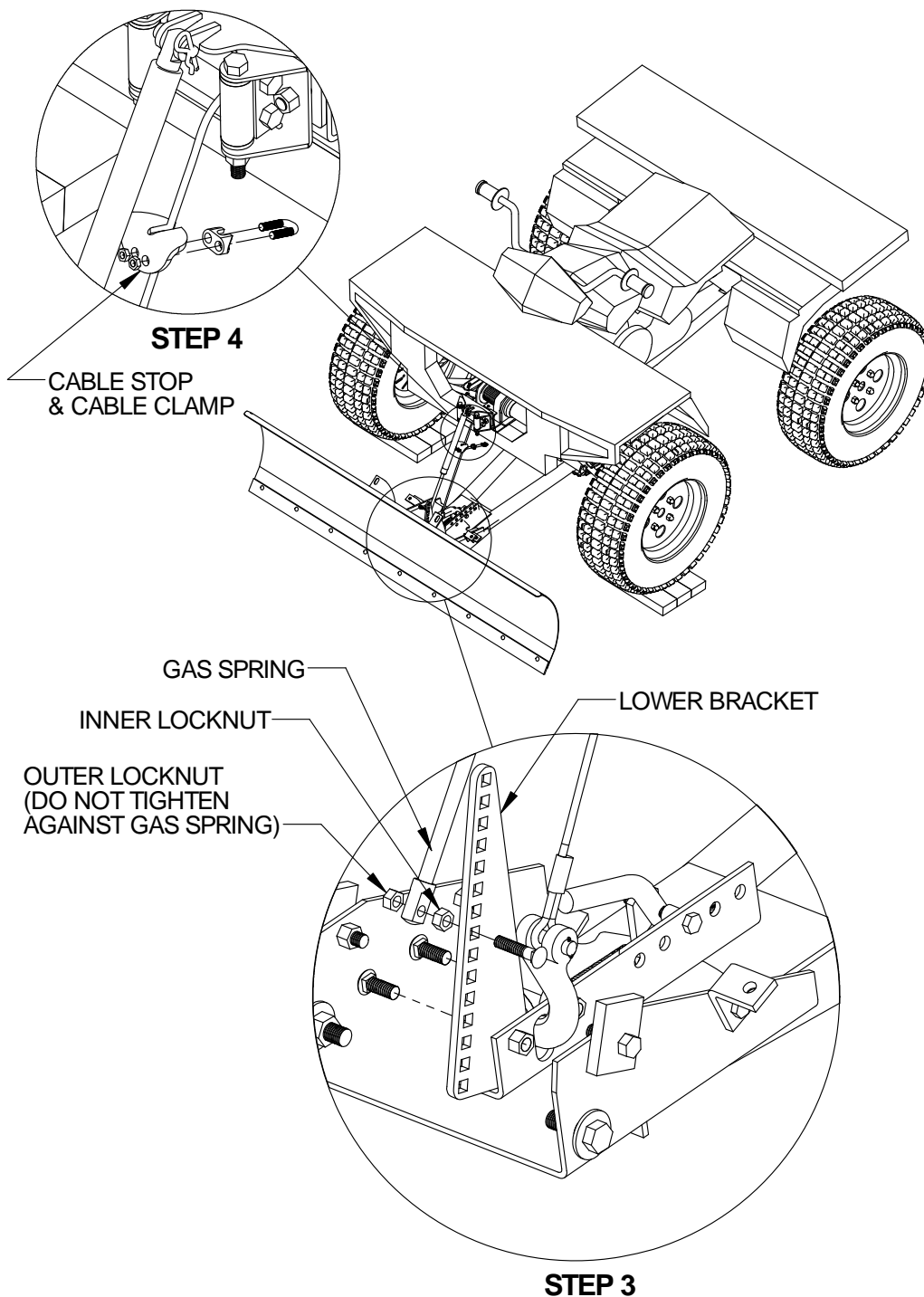


STEP 3

Attach the lower bracket (Item 5) to your pushtube assembly using the 3/8" carriage bolts and locknuts (Items 6 and 7) Use the 5/16" carriage bolt and two locknuts (Items 8 and 9) to attach the gas spring to the closest hole in the lower bracket. Tighten the inner locknut against the lower bracket, but do not tighten the outer locknut against the gas spring lug. The gas spring lug must be able to rotate freely. Make certain that the gas spring is oriented vertically when viewed from the front of the ATV to prevent binding.

STEP 4

Attach the cable stop and cable clamp (Items 10 and 11) to your winch cable as shown. Adjust the position of the cable stop so that it prevents the gas spring from being compressed all the way in. **Do not bottom out the gas spring with the winch. This may result in damage to the gas spring.**



1701 38TH AVE W
PO BOX 257
SPENCER, IA 51301
PHONE: 712-262-4191
FAX: 712-262-0248
SERVICE: 800-841-2222
E-MAIL: ccac@cyclecountry.com

ONE YEAR LIMITED WARRANTY

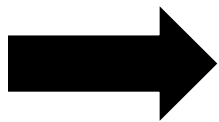
For the period of one year from the purchase date Cycle Country Accessories Corporation will replace for the original purchaser, free of charge, any part or parts, when found, upon examination by Cycle Country Accessories Corporation, to be defective in material, workmanship, or both.

All transportation cost incurred by the purchaser in submitting the material to Cycle Country Accessories Corporation for replacement under this warranty must be borne by the purchaser. If Cycle Country Accessories Corporation determines that the product must be returned to the factory for credit please call 1-800-841-2222 for an RMA number and shipping instructions.

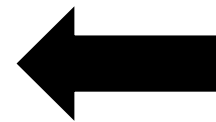
The warranty does not apply to parts that have been damaged by accident, alteration, abuse, improper lubrication, normal wear, or other causes beyond Cycle Country Accessories Corporation's control. Products such as engines, electric motors, and actuators may carry an original manufacturer's warranty. Please call Cycle Country Accessories Corporation for information.



Cycle Country Accessories Corporation has been a world-renowned manufacturer of quality ATV products since 1981 and we hope you will enjoy your new Cycle Country accessory.



Check out our other accessories



We're the Industry Snow Blade leader:

42", 48", 54", 60" & 72" Straight Blades

52" & 60" State Plows

Power 'V' Blade

If a winch is what you must have, then you've come to the right place:

1500lb, 2500lb and 3000lb Winches

We also have an extensive line of winch mounts for both Cycle Country and Warn winches

If you need to haul more gear on your quad, check out our baskets:

Front Basket

Rear Basket

Rear Drop Basket

If you need to mow the trail before you go riding one of these will help:

Our 54" finish cut Quick Silver54 can be mounted in front or towed behind your ATV

The 48" Rough Cut will handle your toughest mowing jobs

The Rough Cut 44 provides an economical way to handle all your mowing needs

If you are into deer hunting and want to make a food plot, you will love our 3 Point Hitch & Implements:

Rear Blade

Moldboard Plow

Spreader

Furrower

Rake

Cultivator

Disk Harrow

And many more accessories to help you Work Hard and Play Hard: